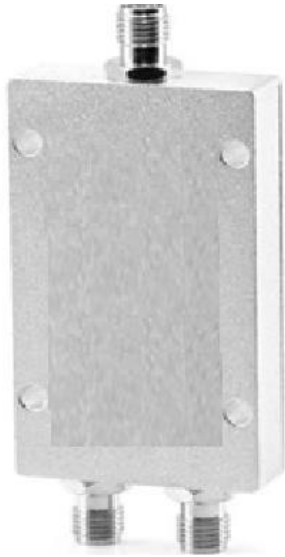


NXS-2P-0508 Power Splitter/Combiner

0.5–8 GHz | 2-Way | SMA Female



Features

- ✚ Microstrip design
- ✚ SMA female connectors
- ✚ Frequency range: 500–8000 MHz
- ✚ Low insertion loss
- ✚ Low VSWR
- ✚ High isolation

Applications

- ✚ ISM / Bluetooth testing
- ✚ Wi-Fi communication systems
- ✚ Satellite communication
- ✚ Laboratory test & measurement

Electrical Specifications

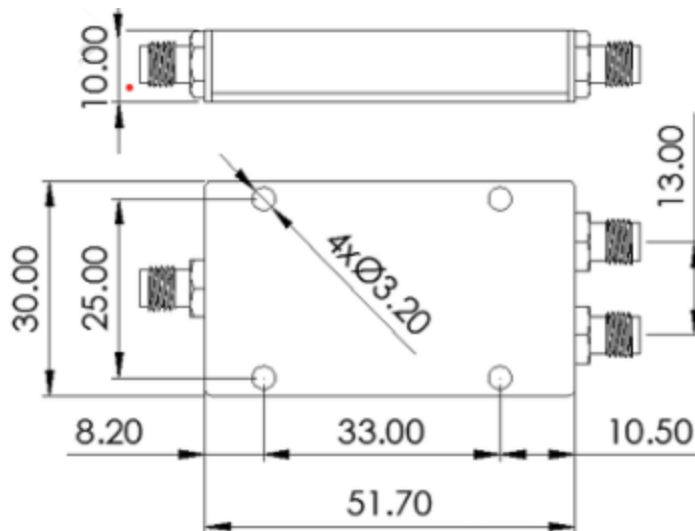
Parameter	Min.	Typ.	Max.	Unit
Frequency Range	500		8000	MHz
Insertion Loss		≤1.2*		dB
Combined Port VSWR		1.16	1.25	–
Distribution Port VSWR		1.12	1.20	–
Isolation	20	25	–	dB
Amplitude Balance	-0.2		0.2	dB
Phase Balance	-3		3	degrees
Impedance		50		Ohms
Power Rating	Splitter:	30		W
	Combiner:	1		W
Operating Temp.	-35		75	°C

* Excluding theoretical loss 3.0 dB

Mechanical Specifications

Parameter	Specification
Port Connectors	SMA-Female
Dimensions	51.7 x 30 x 10 mm
Weight	44 g
Surface Finish	Sandblasting natural color conductive oxide

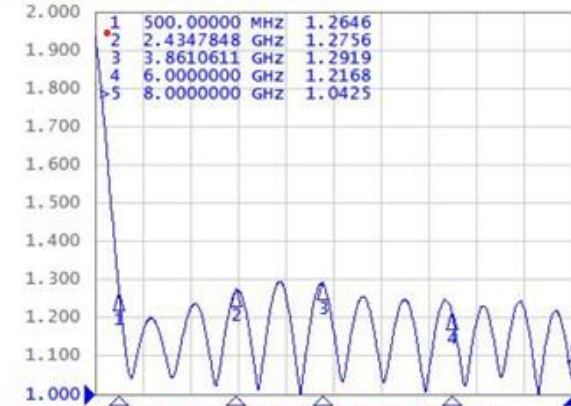
Outline Drawing



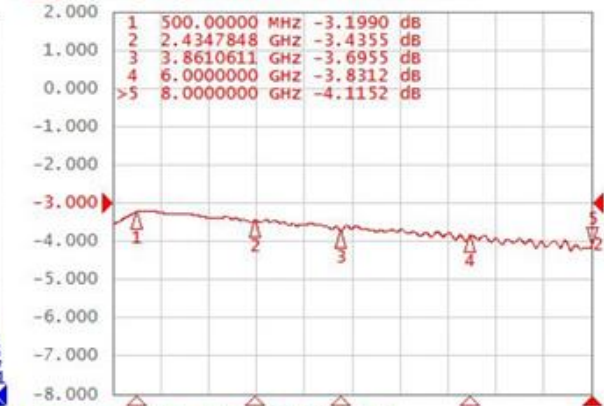
Note: Dimensions(mm/[inch]),General tolerance(± 0.3)

Typical Performance Curves

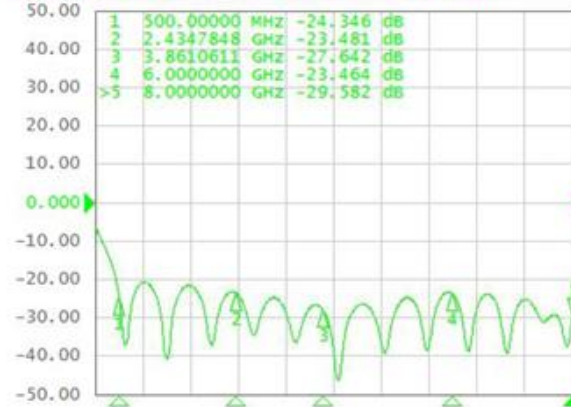
Tr1 S11 SWR 100.0m/ Ref 1.000 [F2]



Tr2 S21 Log Mag 1.000dB/ Ref -3.000dB [F2]



Tr3 S21 Log Mag 10.00dB/ Ref 0.000dB [F2 Smo]



Tr4 S22 SWR 100.0m/ Ref 1.000 [F2]

